

## DID YOU KNOW?

Your water can become contaminated if connections to your plumbing system are not properly protected. The purpose of the local cross connection control program, as required by state plumbing code and regulations, is to ensure that everyone in the community has safe, clean drinking water.

## PUBLIC HEALTH AND SAFETY

To avoid contamination, backflow preventers are required by state plumbing codes wherever there is an actual or potential hazard for cross contamination. The Wisconsin Department of Natural Resources requires all public water suppliers to maintain an ongoing cross connection control program involving public education, onsite inspection and possible corrective actions by building owners if required.

## RESOURCES:

**WI Department of Natural Resources (DNR)**  
[dnr.wi.gov/topic/drinkingwater](http://dnr.wi.gov/topic/drinkingwater)

**Environmental Protection Agency (EPA)**  
[water.epa.gov/infrastructure/drinkingwater/pws/crossconnectioncontrol/index.cfm](http://water.epa.gov/infrastructure/drinkingwater/pws/crossconnectioncontrol/index.cfm)

**Cross Connection Control/Backflow Prevention**  
[www.hydrocorpinc.com](http://www.hydrocorpinc.com)



2915 HILL AVE  
PO BOX 519  
SUPERIOR, WI 54880  
715.394.2200

[WWW.SWLP.COM](http://WWW.SWLP.COM)



## RESIDENTIAL CROSS CONNECTION HAZARDS



## SUPERIOR WATER, LIGHT & POWER

Maintaining the integrity of your  
public drinking water system.

## WHAT IS CROSS CONNECTION?

A cross connection is an actual or potential connection between the safe drinking water (potable) supply and a source of contamination or pollution. State plumbing codes require approved backflow prevention methods to be installed at every point of potable water connection in use. Cross connections must be properly protected or eliminated.

## HOW DOES CONTAMINATION OCCUR?

When you turn on your faucet, you expect the water to be as safe as when it left the treatment plant. However, certain hydraulic conditions left unprotected within your plumbing system may allow hazardous substances to contaminate your own drinking water or even the public water supply. Water normally flows in one direction. However, under certain conditions, water can actually flow backwards; this is known as backflow. There are two situations that can cause water to flow backward: back siphonage and back pressure.

## BACK SIPHONAGE

Back siphonage may occur due to a loss of pressure in the municipal water system during a fire fighting emergency, a water main break or system repair. This creates a siphon in your plumbing system which can draw water out of a sink or bucket and back into your water or the public water system.

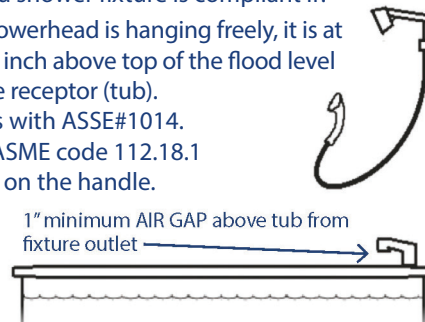
## BACK PRESSURE

Back pressure may be created when a source of pressure (such as a boiler) creates a pressure greater than the pressure supplied from the public water system. This may cause contaminated water to be pushed into your plumbing system through an unprotected cross connection.

## IN THE BATHROOM—Hand-held Shower Fixture

The hand-held shower fixture is compliant if:

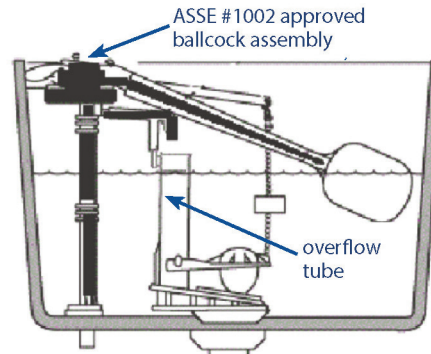
- When showerhead is hanging freely, it is at least one inch above top of the flood level rim of the receptor (tub).
- Complies with ASSE#1014.
- Has the ASME code 112.18.1 stamped on the handle.



## IN THE BATHROOM—Toilet Tanks

Pollution of the water supply is usually caused by non-toxic substances and often does not constitute an actual health hazard, although water may be non-potable and affected with respect to taste, odor or utility. Contamination is a health hazard caused by a toxic substance, which subjects consumers to potentially lethal waterborne diseases or illnesses.

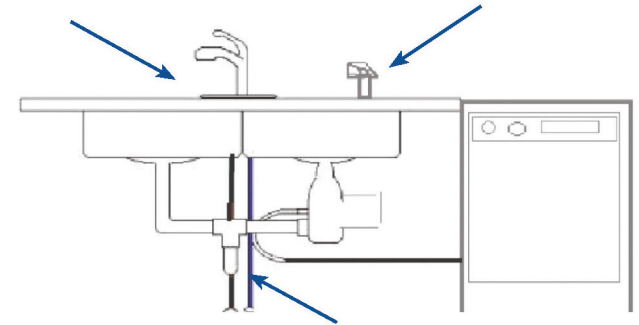
There are many unapproved toilet tank fill valve products sold at common retailers which do not meet the state plumbing code requirements for backflow prevention.



- Look for the ASSE #1002 standard symbol on the device and packaging.
- Replace any unapproved devices with an ASSE #1002 approved anti-siphon ballcock assembly. Average cost is typically \$12 to \$22 at home improvement stores.
- Verify overflow tube is one inch below critical level (CL) marking on the device.

## IN THE KITCHEN

Hoses and water treatment devices may create a potential backflow hazard if not properly isolated with backflow prevention methods.



## PROTECT YOUR DRINKING WATER

### DO

- ✓ Keep the ends of hoses clear of all possible contaminants.
- ✓ Make sure dishwashers are installed with a proper "air gap" device.
- ✓ Verify and install a simple hose bibb vacuum breaker on all threaded faucets around your home.
- ✓ Make sure water treatment devices such as water softeners have the proper "air gap", which is a minimum of one inch above any drain.

### DON'T

- ✗ Submerge hoses in buckets, pools, tubs, sinks or ponds.
- ✗ Use spray attachments without a backflow prevention device.
- ✗ Connect waste pipes from water softeners or other treatment systems directly to the sewer or submerged drain pipe. Always be sure there is a one inch "air gap" separation.